

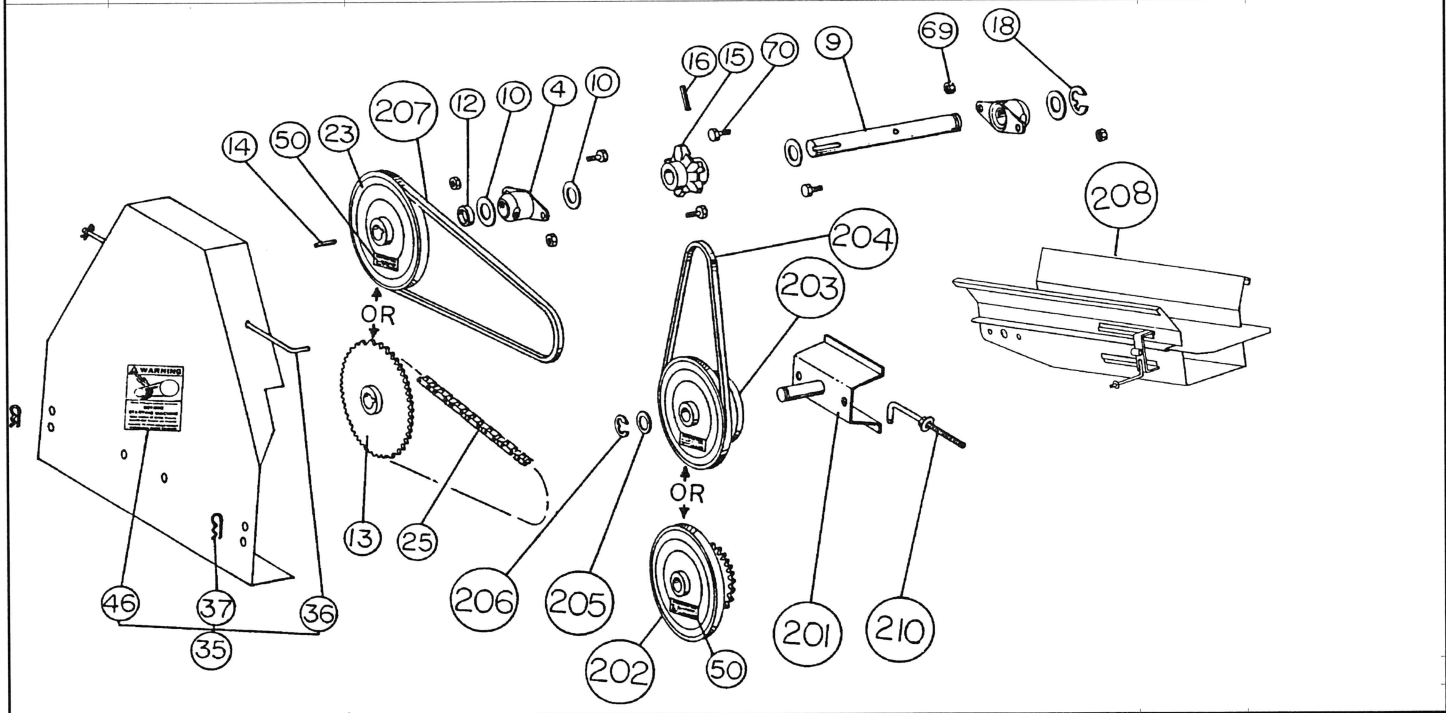
Old style 9" Wide Single-Chain Elevator Parts List

Model with trough-chain tightener located on boot end of elevator.

Old style Drive End (chain tightener on boot end)

With detachable chain

Ref. No.	Part No.	Description	No. Req'd
4	E979	BEARING W/ZERK,BRONZE,1" ID	2
9	E944	SHAFT,DRIVE,1" X 14-3/4"L	1
10	F806060	BUSH,MACH,18X1-1/32X1-1/2",UPL	3
12	E9105	PIPE,PVC,S/40 X 1" X 5/16"	1
13	E769	SPROCKET,DRIVE SHAFT,4060X3/4"	1
14	F203060	KEY,SQUARE,1/4X1/4X1",UPLT	1
15	E943	SPROCKET,#62 X 7-TOOTH X 1"ID	1
16	F407060	PIN,ROLL,5/16X2",PLT	1
18	F503040	RING,E-RET,.05X.625X1.5",UPLT	1
23	E786	PULLEY W/DECAL,X-SHAFT,10X3/4"	1
25	E771	CHAIN W/CL ENDLESS,ROL,40X106P	1
35	E761	SHIELD,7TO13" ELEV DRIVE(1-PC)	1
36	E705	X-ROD W/HAIR PINS(1-PC DR SHD)	1
25	E771	CHAIN W/CL ENDLESS,ROL,40X106P	1
35	E761	SHIELD,7TO13" ELEV DRIVE(1-PC)	1
36	E705	X-ROD W/HAIR PINS(1-PC DR SHD)	1
37	F405050	PIN,HAIR,#17X0.08"X1.625",PLT	3
46	11096	DECAL,WARNING-BEFORE STARTING	1
50	11100	DECAL,IMPORTANT	1
69	F354040	NUT,HEX,5/16-18,G5,PLT	6
70	F1072320	HHCS,5/16-18X5/8",G5,PLT	6
201	E752	WELDMNT,JACK SHAFT SLIDING	1
202	E970	PULLEY W/SPROCKET,12"&4018X3/4	1
203	E954	PULLEY,DOUBLE,4" & 12" X .75"ID	1
204	AX52	V-BELT,AX52,NOTCHED	1
205	F806060	BUSH,MACH,18X1-1/32X1-1/2",UPL	1
206	F503040	RING,E-RET,.05X.625X1.5",UPLT	1
207	5L56	XXV-BELT,5L56 (discontinued)	1
208		DISCONTINUED	-
210	E755	J-BOLT W/FASTENERS,5/16 X5-3/4	1



Old style 9" Wide Single-Chain Elevator Parts List

Model with trough-chain tightener located on boot end of elevator.

Old style Idler End (chain tightener on boot end)

With detachable chain

Ref. No.	Part No.	Description	No. Req'd
4	E979	BEARING W/ZERK,BRONZE,1" ID	2
6	E947	SLIDE,9" ELEV BEARING MOUNT	2
10	F806060	BUSH,MACH,18X1-1/32X1-1/2",UPL	2
15	E943	SPROCKET,#62 X 7-TOOTH X 1"ID	1
16	F407060	PIN,ROLL,5/16X2",PLT	1
18	F503040	RING,E-RET,.05X.625X1.5",UPLT	2
400	E948-OS	BOOT ONLY, 9" ELEV-PRIOR	1
400A	E948-OS-K	BOOT L/AGIT KIT,9" ELEV-PRIOR	-
401	E978-OS	XXBOOT W/HITCH,9" ELEV-PRIOR (discontinued)	1
52	E942	SHAFT,IDLER,1" X 12-7/8"L	1
404	E745-OS	I-BOLT W/FASTENERS,5/16X5-3/4"	2
403		DISCONTINUED	-
68	F808030	WA,STD FLT,5/16",PLT	6
69	F354040	NUT,HEX,5/16-18,G5,PLT	6
70	F1072320	HHCS,5/16-18X5/8",G5,PLT	6

WARNING Do not substitute Grade 2 bolts when stronger Grade 5 bolts are specified.
Failure to heed these instructions could result in serious personal injury or death!

