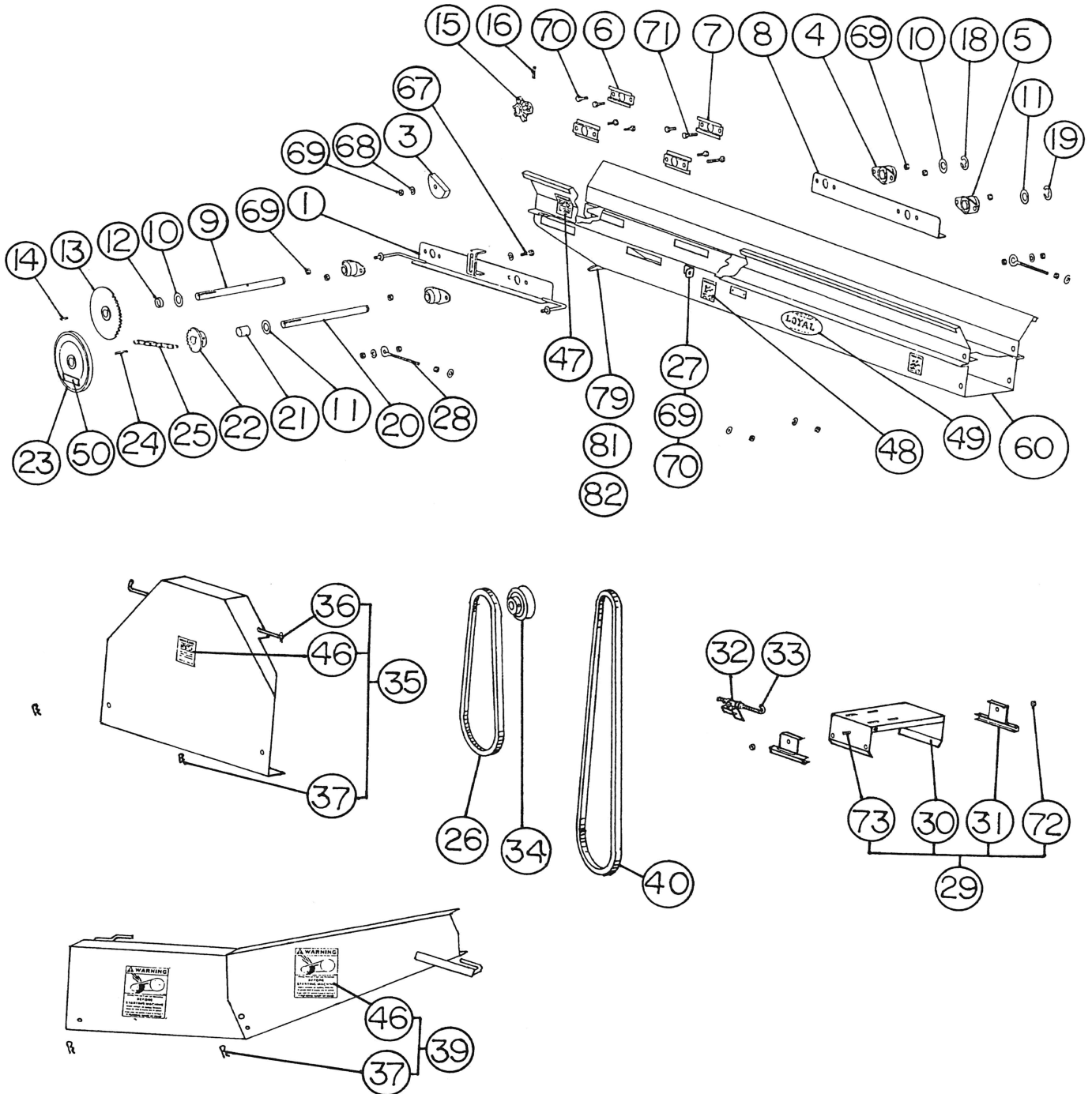


9" Wide Single-Chain Elevator Parts List

Model with trough-chain tightener located on discharge end of elevator.

Drive End (with pintle or detachable chain)



9" Wide Single-Chain Elevator Parts List

Model with trough-chain tightener located on discharge end of elevator.

Drive End (with pintle or detachable chain)

Ref. No.	Part No.	Description	No. Req'd
1	E7115	MOUNT,7-13"ELV CHAIN TIGHT(LT)	1
3	E772	BLOCK,ROLLER CH TIGHTENER WOOD	1
4	E979	BEARING W/ZERK,BRONZE,1" ID	2
5	E979	BEARING W/ZERK,BRONZE,1" ID	2
6	E947	SLIDE,9" ELEV BEARING MOUNT	2
7	E947	SLIDE,9" ELEV BEARING MOUNT	2
8	E7116	MOUNT,7-16"ELV CHAIN TIGHT(RT)	1
9	E944	SHAFT,DRIVE,1" X 14-3/4"L	1
10	F806060	BUSH,MACH,18X1-1/32X1-1/2",UPL	2
11	F806060	BUSH,MACH,18X1-1/32X1-1/2",UPL	2
12	E9105	PIPE,PVC,S/40 X 1" X 5/16"	1
13	E969	SPROCKET,DRIVE SHAFT,4060X1"	1
14	F203060	KEY,SQUARE,1/4X1/4X1",UPLT	1
15	E943	SPROCKET,#62 X 7-TOOTH X 1"ID	1
16	F407060	PIN,ROLL,5/16X2",PLT	1
18	F503040	RING,E-RET,.05X.625X1.5",UPLT	1
19	F503040	RING,E-RET,.05X.625X1.5",UPLT	1
20	E9111	SHAFT,CROSS,1" X 15-3/4"L	1
21	E9106	PIPE,PVC,S/40 X 1" X 5/8"	1
22	E989	SPROCKET,X-SHAFT,4018 X 1"ID	1
23	E986	PULLEY W/DECAL,X-SHAFT,12X1"ID	1
24	F203071	KEY,SQUARE,1/4X1/4X2-1/4",UPLT	1
25	E771	CHAIN W/CL ENDLESS,ROL,40X106P	1
26	AX54	V-BELT,AX54,NOTCHED	1
27	E7117	MOUNT,7 TO 13" ELEV I-BOLT	2
28	E745	I-BOLT W/FASTENERS,3/8 X 7"L	2
29	E965	MOTOR MOUNT L/TIGHTNER KIT,9"	1
30	E977	MOUNT ONLY,MOTOR,8.5" X 14.25"	1
31	E766	CLAMP,7-13"ELV MOTOR SLIDE,8"L	2
32	E767	CLAMP,GALV ELEV BELT TIGHTNER	1
33	E755	J-BOLT W/FASTENERS,5/16 X5-3/4	1
34	AK28X5/8	PULLEY,CAST IRON,AK28 X 5/8"ID	1
35	E761	SHIELD,7TO13" ELEV DRIVE(1-PC)	1
36	E705	X-ROD W/HAIR PINS(1-PC DR SHD)	1
37	F405050	PIN,HAIR,#17X0.08"X1.625",PLT	3
38	Y143	MANUAL, 9"ELEV,PINTLE & DETACH	1
		FOR ELEVATORS WITH 2-DRIVE SHIELDS OR TRANSPORT	
39	E763	SHIELD,DRIVE(2-PC),7to13" ELEV	1
40	AX98	V-BELT,AX98,NOTCHED	1
		MISCELLANEOUS	
46	11096	DECAL,WARNING-BEFORE STARTING	1
47	11097	DECAL,DANGER-SHIELDS ARE OFF	1
48	11098	DECAL,WARNING-STAY AWAY	2
49	11099	DECAL,LOYAL,LARGE OVAL,YEL&BL	1
50	11100	DECAL,IMPORTANT	1
60		CONTACT FACTORY	-
67	F1072357	HHCS,5/16-18X1-3/4",G5,PLT	1
68	F808030	WA,STD FLT,5/16",PLT	6
69	F354040	NUT,HEX,5/16-18,G5,PLT	17
70	F1072320	HHCS,5/16-18X5/8",G5,PLT	10
71	F108620	HH TAP BOLT,5/16-18X1.25",G5,P	2
72	F354050	NUT,HEX,3/8-16,G5,PLT	4
73	F1072455	HHCS,3/8-16X1-1/4",G5,PLT	4
79	E990	TONGUE,TROUGH,3" X 8-3/4"	1
81	F356030	NUT,NY-IN LOCK,1/4-20,G2,PLT	3
82	F302030	MS,FL-HD,SL,1/4-20X3/4",G2,PLT	3



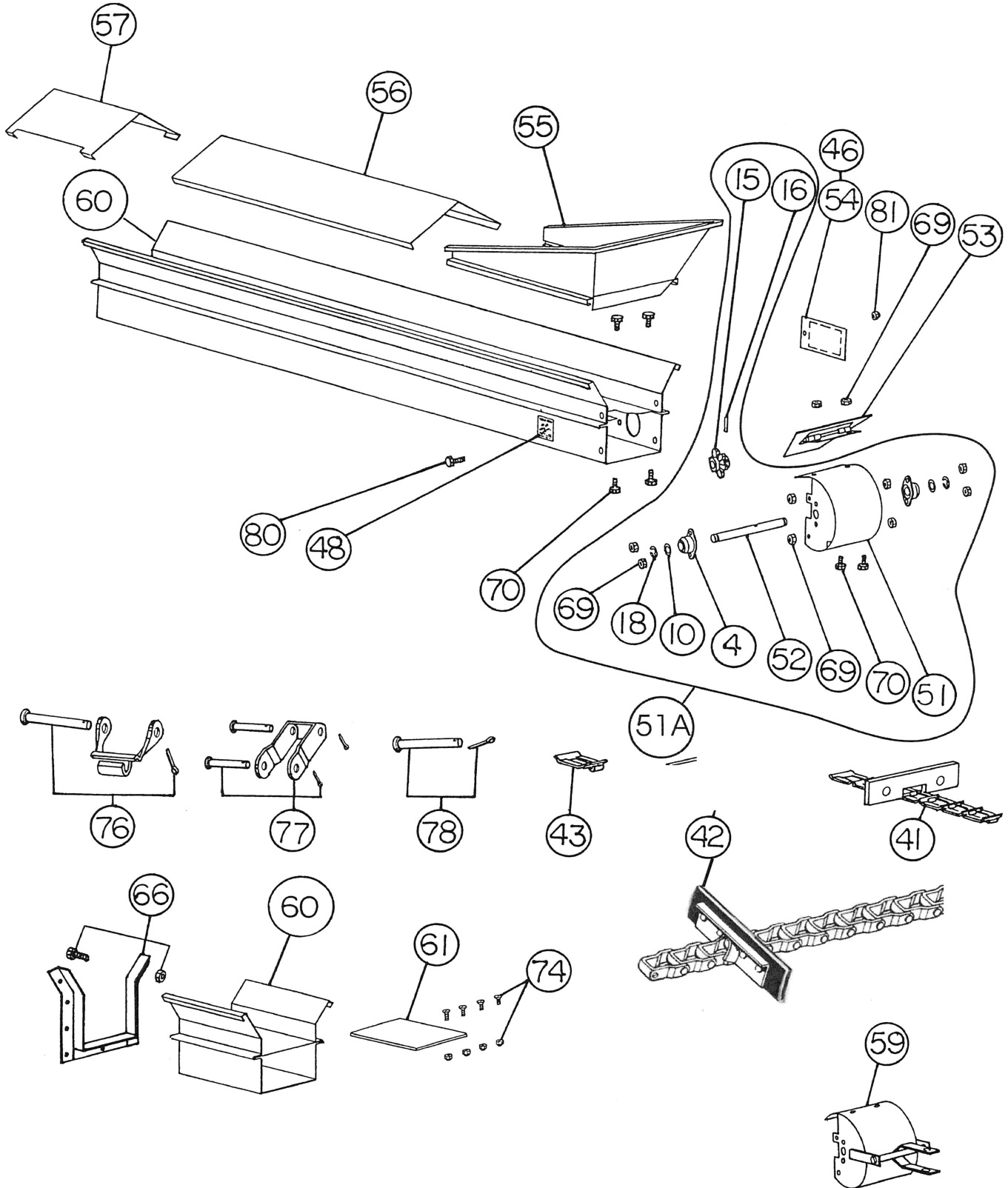
WARNING Do not substitute Grade 2 bolts when stronger Grade 5 bolts are specified.

Failure to heed these instructions could result in serious personal injury or death!

9" Wide Single-Chain Elevator Parts List

Model with trough-chain tightener located on discharge end of elevator.

Idler End (with pintle or detachable chain)



9" Wide Single-Chain Elevator Parts List

Model with trough-chain tightener located on discharge end of elevator.

Idler End (with pintle or detachable chain)

Ref. No.	Part No.	Description	No. Req'd
4	E979	BEARING W/ZERK,BRONZE,1" ID	2
10	F806060	BUSH,MACH,18X1-1/32X1-1/2",UPL	2
15	E943	SPROCKET,#62 X 7-TOOTH X 1"ID	1
16	F407060	PIN,ROLL,5/16X2",PLT	1
18	F503040	RING,E-RET,.05X.625X1.5",UPLT	2
41	DC6285	CHAIN,DETACH,#62,8-1/2" FLIGHT	-
42	PC66285	CHAIN,PINT,#662,8-1/2" FLIGHT	-
43	E939	LINK ONLY, DETACH CHAIN,#62	1
46	11096	DECAL,WARNING-BEFORE STARTING	1
48	11098	DECAL,WARNING-STAY AWAY	1
51	E948	BOOT ONLY,9" ELEV	1
51A	E948-K	BOOT L/AGIT KIT,9" GALV ELEV (includes qty 1 of E943, 1 of E942, 2 of E979, 1 of E948, 8 of F1072320, 1 of F407060, 2 of F503040, 2 of F806060, 8 of F354040).	-
52	E942	SHAFT,IDLER,1" X 12-7/8"L	1
53	E9112	AGITATOR W/HINGE,9" ELEV BOOT	1
54	E7114	DOOR WITH DECAL,CLEANOUT	1
55	E949	HOPPER,9" GALV ELEV INCLINE	1
56	EC98	COVER,GALV ELEV,9" X 8'L	-
56	EC94	COVER,GALV ELEV,9" X 4'L	-
57	EC92M	COVER,MOTOR MT TROUGH,9" X 2'L	-
59	E978	BOOT W/HITCH ONLY,9" ELEV	-
59A	E978-K	BOOT W/HITCH L/AG KIT,9" G ELV (includes qty 1 of E943, 1 of E942, 2 of E979, 1 of E978, 8 of F1072320, 1 of F407060, 2 of F503040, 2 of F806060, 8 of F354040).	-
60		CONTACT FACTORY	-
61	PL14878	LINER,POLY,1/4"X8-7/8" WIDE	-
66	J9	JOINT W/GR 5 HDWE,9" CONNECT	1
69	F354040	NUT,HEX,5/16-18,G5,PLT	10
70	F1072320	HHCS,5/16-18X5/8",G5,PLT	10
74	E709	FASTENER KIT,POLY-LINER TO PAN	1
76	E62C	COUPLER W/PIN&CLIP,#62 DETACH	-
77	E662C	COUPLER W/PIN&CLIP,#662 PINTLE	-
78	E662PC	PIN&CLIP,REPAIR,#662 PINTLE	-
80	F1072245	HHCS,1/4-20X3/4",G5,PLT	1
81	F356030	NUT,NY-IN LOCK,1/4-20,G2,PLT	1

⚠ WARNING Do not substitute Grade 2 bolts when stronger Grade 5 bolts are specified.

Failure to heed these instructions could result in serious personal injury or death!