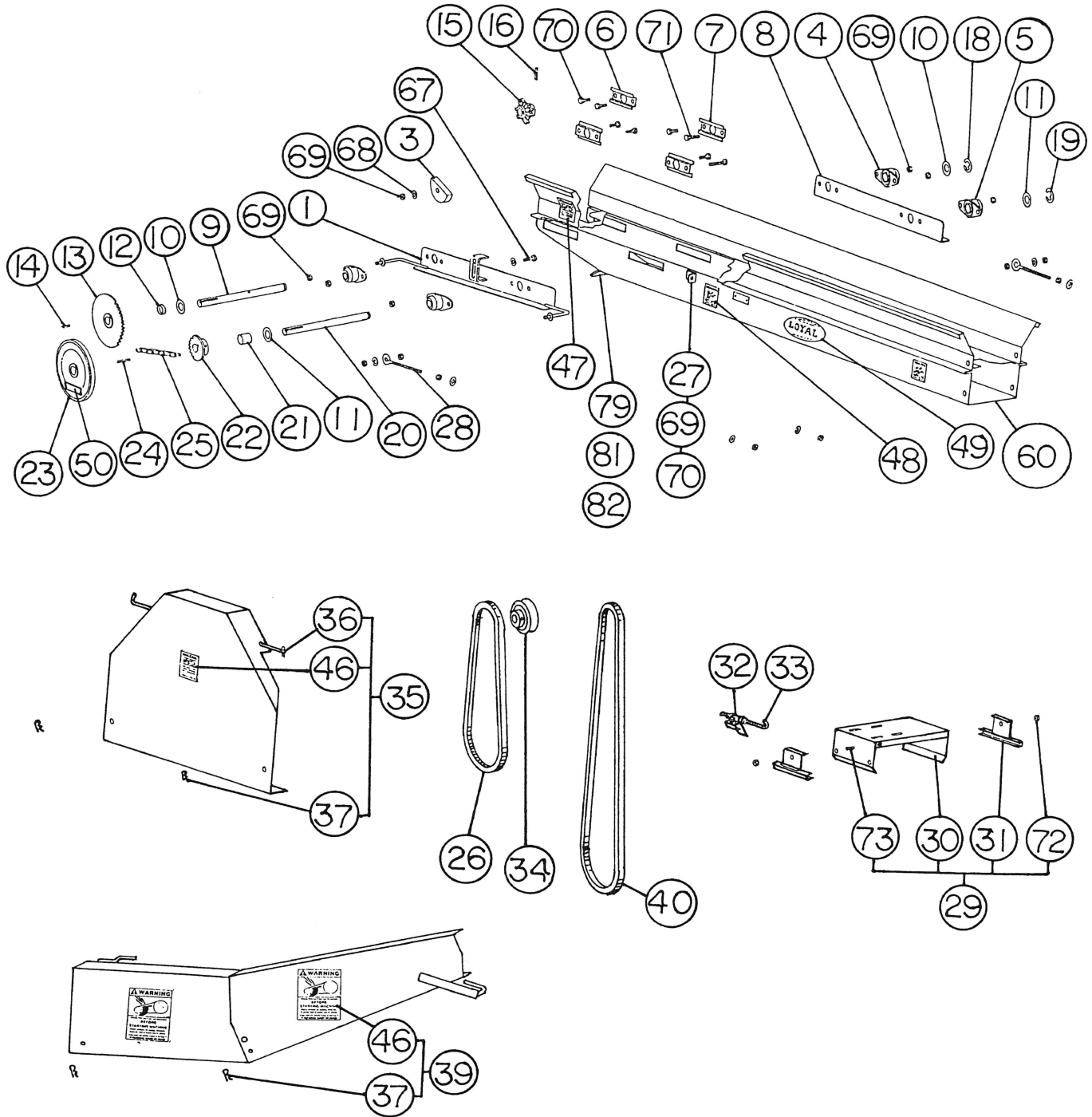


# 7" Wide Single-Chain Elevator Parts List

Model with trough-chain tightener located on discharge end of elevator.

## Drive End (with detachable chain)



# 7" Wide Single-Chain Elevator Parts List

Model with trough-chain tightener located on discharge end of elevator.

## Drive End (with detachable chain)

Ref. No.	Part No.	Description	No. Req'd
1	E7115	MOUNT,7-13"ELV CHAIN TIGHT(LT)	1
3	E772	BLOCK,ROLLER CH TIGHTENER WOOD	1
4	E779	BEARING W/ZERK,BRONZE,3/4" ID	2
5	E779	BEARING W/ZERK,BRONZE,3/4" ID	2
6	E747	SLIDE,7" ELEV BEARING MOUNT	2
7	E747	SLIDE,7" ELEV BEARING MOUNT	2
8	E7116	MOUNT,7-16"ELV CHAIN TIGHT(RT)	1
9	E744	SHAFT,DRIVE,3/4" X 12-3/4"L	1
10	F806030	BUSH,MACH,18X24/32X1-1/4",UPLT	2
11	F806030	BUSH,MACH,18X24/32X1-1/4",UPLT	2
12	E7105	PIPE,PVC,S/40 X .75" X 3/8"	1
13	E769	SPROCKET,DRIVE SHAFT,4060X3/4"	1
14	F203020	KEY,SQUARE,3/16X3/16X1",UP	1
15	E743	SPROCKET,#55 X 6-TOOTH X3/4"ID	1
16	F407040	PIN,ROLL,1/4X1-3/8",PLT	1
17	E708	PIPE,PVC,S/40 X .75" X 2.25"	2
18	F503020	RING,E-RET,.05X.625X1.12,UPLT	1
19	F503020	RING,E-RET,.05X.625X1.12,UPLT	1
20	E7111	SHAFT,CROSS,3/4" X 13-3/4"L	1
21	E7106	PIPE,PVC,S/40 X .75" X .75"	1
22	E789	SPROCKET,X-SHAFT,4021 X 3/4"ID	1
23	E786	PULLEY W/DECAL,X-SHAFT,10X3/4"	1
24	F203040	KEY,SQUARE,3/16X3/16X2",UPLT	1
25	E771	CHAIN W/CL ENDLESS,ROL,40X106P	1
26	AX52	V-BELT,AX52,NOTCHED	1
27	E7117	MOUNT,7 TO 13" ELEV I-BOLT	2
28	E745	I-BOLT W/FASTENERS,3/8 X 7"L	2
29	E765	DISCONTINUED	1
30	E777	DISCONTINUED	1
31	E766	CLAMP,7-13"ELV MOTOR SLIDE,8"L	2
32	E767	CLAMP,GALV ELEV BELT TIGHTNER	1
33	E755	J-BOLT W/FASTENERS,5/16 X5-3/4	1
34	AK28X5/8	PULLEY,CAST IRON,AK28 X 5/8"ID	1
35	E761	SHIELD,7TO13" ELEV DRIVE(1-PC)	1
36	E705	X-ROD W/HAIR PINS(1-PC DR SHD)	1
37	F405050	PIN,HAIR,#17X0.08"X1.625",PLT	3
<b>FOR ELEVATORS WITH 2 -DRIVE SHIELDS OR TRANSPORT</b>			
39	E763	SHIELD,DRIVE(2-PC),7to13" ELEV	1
40	AX98	V-BELT,AX98,NOTCHED	1
<b>MISCELLANEOUS</b>			
46	11096	DECAL,WARNING-BEFORE STARTING	1
47	11097	DECAL,DANGER-SHIELDS ARE OFF	1
48	11098	DECAL,WARNING-STAY AWAY	2
49	11099	DECAL,LOYAL,LARGE OVAL,YEL&BL	1
50	11100	DECAL,IMPORTANT	1
60	ENDD	DISCONTINUED	-
67	F1072357	HHCS,5/16-18X1-3/4",G5,PLT	1
68	F808030	WA,STD FLT,5/16",PLT	6
69	F354040	NUT,HEX,5/16-18,G5,PLT	18
70	F1072320	HHCS,5/16-18X5/8",G5,PLT	8
71	F108620	HH TAP BOLT,5/16-18X1.25",G5,P	2
72	F354050	NUT,HEX,3/8-16,G5,PLT	2
73	F1072455	HHCS,3/8-16X1-1/4",G5,PLT	2
79	E7118	TONGUE,TROUGH,3" X 6-3/4"	1
81	F356030	NUT,NY-IN LOCK,1/4-20,G2,PLT	3
82	F302030	MS,FL-HD,SL,1/4-20X3/4",G2,PLT	3



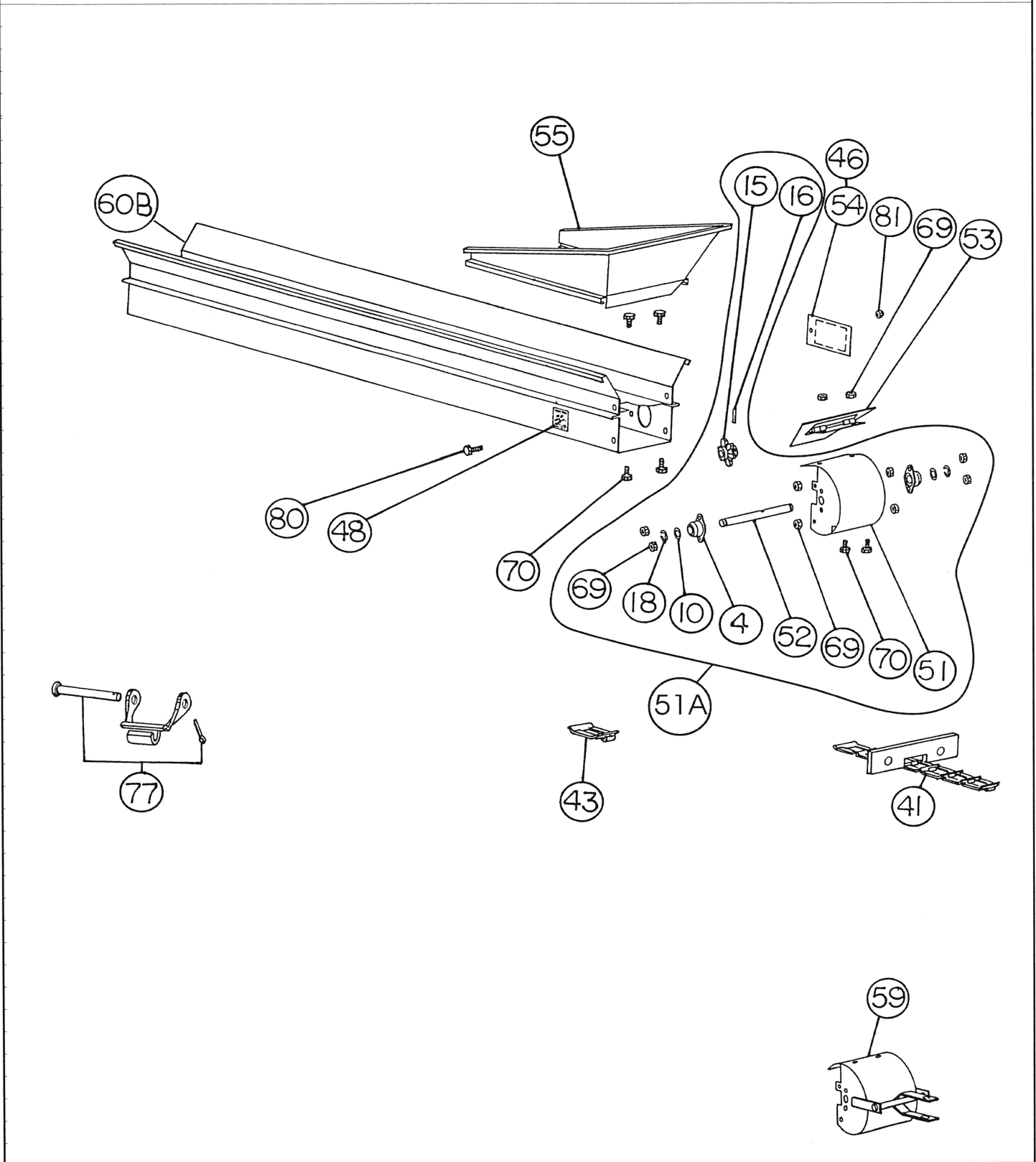
**WARNING** Do not substitute Grade 2 bolts when stronger Grade 5 bolts are specified.

Failure to heed these instructions could result in serious personal injury or death!

# 7" Wide Single-Chain Elevator Parts List

Model with trough-chain tightener located on discharge end of elevator.

## Idler End (with detachable chain)



# 7" Wide Single-Chain Elevator Parts List

Model with trough-chain tightener located on discharge end of elevator.

## Idler End (with detachable chain)

Ref. No.	Part No.	Description	No. Req'd
4	E779	BEARING W/ZERK,BRONZE,3/4" ID	2
10	F806030	BUSH,MACH,18X24/32X1-1/4",UPLT	2
15	E743	SPROCKET,#55 X 6-TOOTH X3/4"ID	1
16	F407040	PIN,ROLL,1/4X1-3/8",PLT	1
18	F503020	RING,E-RET,.05X.625X1.12,UPLT	2
41	DC5565	CHAIN,DETACH,#55,6-1/2"FL,1'	-
43	E739	LINK ONLY, DETACH CHAIN,#55	-
46	11096	DECAL,WARNING-BEFORE STARTING	1
48	11098	DECAL,WARNING-STAY AWAY	1
51	E748	BOOT ONLY,7" ELEV	1
51A	E748-K	BOOT L/AGIT KIT,7" GALV ELEV (includes qty 1 of E743, 1 of E742, 2 of E779, 1 of E748, 8 of F1072320, 1 of F407040, 2 of F503020, 2 of F806030, 8 of F354040).	-
52	E742	SHAFT,IDLER,3/4" X 10-7/8"L	1
53	E7112	AGITATOR W/HINGE,7" ELEV BOOT	1
54	E7114	DOOR WITH DECAL,CLEANOUT	1
55	E749	HOPPER,7" GALV ELEV INCLINE	1
59	E778	BOOT ONLY W/HITCH,7" ELEV	1
60B		DISCONTINUED	-
69	F354040	NUT,HEX,5/16-18,G5,PLT	10
77	E55C	COUPLER W/PIN&CLIP,#55 DETACH	-
80	F1072245	HHCS,1/4-20X3/4",G5,PLT	1
81	F356030	NUT,NY-IN LOCK,1/4-20,G2,PLT	1



**WARNING** Do not substitute Grade 2 bolts when stronger Grade 5 bolts are specified.

Failure to heed these instructions could result in serious personal injury or death!