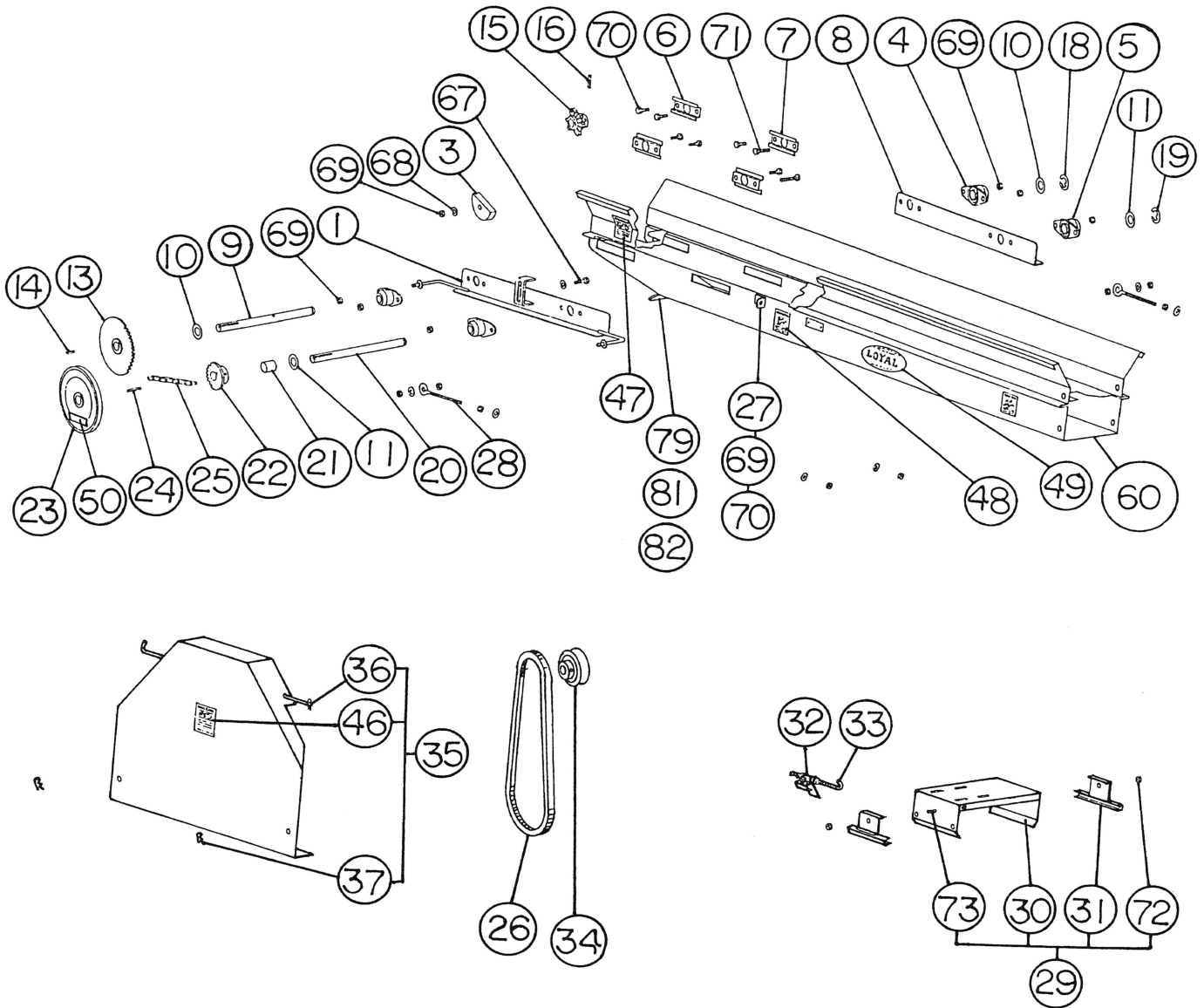


16" Wide Single-Chain Elevator Parts List

Model with trough-chain tightener located on discharge end of elevator.

Drive End (with pintle chain)



16" Wide Single-Chain Elevator Parts List

Model with trough-chain tightener located on discharge end of elevator.

Drive End (with pintle chain)

Ref. No.	Part No.	Description	No. Req'd
1	E16115	MOUNT,16"ELEV CHAIN TIGHT(LT)	1
3	E772	BLOCK,ROLLER CH TIGHTENER WOOD	1
4	E1179	BEARING W/ZERK,BRONZE,1-1/4"ID	2
5	E979	BEARING W/ZERK,BRONZE,1" ID	2
6	E1147	SLIDE,11/13" ELV BEARING MOUNT	2
7	E1147	SLIDE,11/13" ELV BEARING MOUNT	2
8	E7116	MOUNT,7-16"ELV CHAIN TIGHT(RT)	1
9	E1644	SHAFT,DRIVE,1-1/4" X 21-3/4"L	1
10	F806080	BUSH,MACH,14X1-9/32X1-7/8",UPL	2
11	F806060	BUSH,MACH,18X1-1/32X1-1/2",UPL	2
13	E1169	SPROCKET,DR SHFT,4060 X 1-1/4"	1
14	F203060	KEY,SQUARE,1/4X1/4X1",UPLT	1
15	E1143	SPROCKET,#667HX6-TOOTH X 1-1/4	1
16	F407080	PIN,ROLL,5/16X2-1/2",PLT	1
18	F503070	RING,E-RET,.05X1.08X1.6",UPLT	1
19	F503040	RING,E-RET,.05X.625X1.5",UPLT	1
20	E1611	SHAFT,CROSS,1" X 23"L	1
21	E9105	PIPE,PVC,S/40 X 1" X 5/16"	2
22	E989	SPROCKET,X-SHAFT,4018 X 1"ID	1
23	E1686	PULLEY W/DECAL,X-SHAFT,14X1"ID	1
24	F203071	KEY,SQUARE,1/4X1/4X2-1/4",UPLT	1
25	E771	CHAIN W/CL ENDLESS,ROL,40X106P	1
26	AX68	V-BELT,AX68,NOTCHED	1
27	E16117	XXMOUNT,16" ELEV I-BOLT (discontinued)	2
28	E1645	I-BOLT W/HDWE,7/16-14 X 8.75"L	2
29	E1665	MOTOR MOUNT L/TIGHTNER KIT,16"	1
30	E1677	XXMOUNT ONLY,MOTOR,9" X 16" (discontinued)	1
31	E1666	XXCLAMP,MTR SIDE,2-1/4 X8-3/4" (discontinued)	2
32	E767	CLAMP,GALV ELEV BELT TIGHTNER	1
33	E1688	I-BOLT W/HDWE,5/16-18 X 5.75"L	1
34	AK28X5/8	PULLEY,CAST IRON,AK28 X 5/8"ID	1
35	E16113	SHIELD,16" ELEV DRIVE(1 PC)	1
36	E705	X-ROD W/HAIR PINS(1-PC DR SHD)	1
37	F405050	PIN,HAIR,#17X0.08"X1.625",PLT	3
		MISCELLANEOUS	
46	11096	DECAL,WARNING-BEFORE STARTING	1
47	11097	DECAL,DANGER-SHIELDS ARE OFF	1
48	11098	DECAL,WARNING-STAY AWAY	2
49	11099	DECAL,LOYAL,LARGE OVAL,YEL&BL	1
50	11100	DECAL,IMPORTANT	1
60		DISCONTINUED	-
67	F1072357	HHCS,5/16-18X1-3/4",G5,PLT	1
68	F808030	WA,STD FLT,5/16",PLT	6
69	F354040	NUT,HEX,5/16-18,G5,PLT	18
70	F1072320	HHCS,5/16-18X5/8",G5,PLT	8
71	F108620	HH TAP BOLT,5/16-18X1.25",G5,P	2
72	F354050	NUT,HEX,3/8-16,G5,PLT	2
73	F1072455	HHCS,3/8-16X1-1/4",G5,PLT	2
79	E16118	TONGUE,TROUGH,3" X 15-3/4"	1
81	F356030	NUT,NY-IN LOCK,1/4-20,G2,PLT	3
82	F302030	MS,FL-HD,SL,1/4-20X3/4",G2,PLT	3



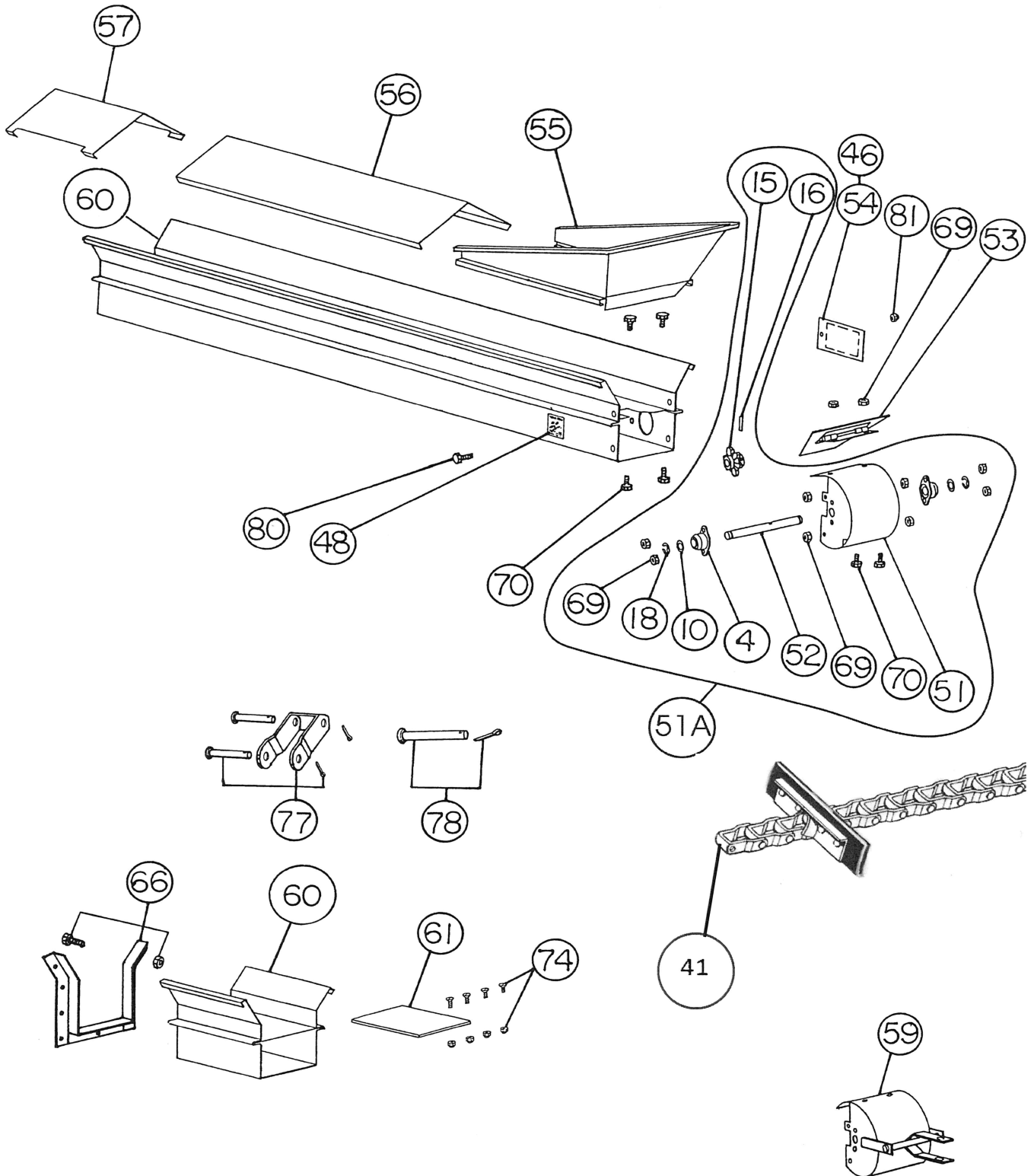
WARNING Do not substitute Grade 2 bolts when stronger Grade 5 bolts are specified.

Failure to heed these instructions could result in serious personal injury or death!

16" Wide Single-Chain Elevator Parts List

Model with trough-chain tightener located on discharge end of elevator.

Idler End (with pintle chain)



16" Wide Single-Chain Elevator Parts List

Model with trough-chain tightener located on discharge end of elevator.

Idler End (with pintle chain)

Ref. No.	Part No.	Description	No. Req'd
4	E1179	BEARING W/ZERK,BRONZE,1-1/4"ID	2
10	F806080	BUSH,MACH,14X1-9/32X1-7/8",UPL	2
15	E1143	SPROCKET,#667HX6-TOOTH X 1-1/4	1
16	F407080	PIN,ROLL,5/16X2-1/2",PLT	1
18	F503070	RING,E-RET,.05X1.08X1.6",UPLT	2
41	PC667H15	XXCHAIN,PINT,#667H,15-1/2"FLIGHT (DISCONTINUED)	-
46	11096	DECAL,WARNING-BEFORE STARTING	1
48	11098	DECAL,WARNING-STAY AWAY	1
51	E1648	BOOT ONLY,16" ELEV	1
51A	E1648P-K	BOOT L/AGIT KIT,16" G EL,PINTL (includes qty 2 of F503070, 2 of F806080, 1 of F407080, 2 of E1179, 8 of F354040, 1 of E1143, 1 of E1642, 8 of F1072320, 1 of E1648).	-
52	E1642	SHAFT,IDLER,1-1/4" X 19-7/8"L	1
53	E1612	XXAGITATOR W/HINGE,16" ELEV BOOT (DISCONTINUED)	-
54	E7114	DOOR WITH DECAL,CLEANOUT	1
55	E1649	XXHOPPER W/EXTEN,16" ELV INCLI (DISCONTINUED)	-
56	EC138	COVER,GALV ELEV,13" X 8'L	-
56	EC134	COVER,GALV ELEV,13" X 4'L	-
57	EC132M	COVER,MOTOR MT TROUGH,13"X 2'L	-
59	E1678	XXBOOT ONLY W/HITCH,16" ELEV (DISCONTINUED)	-
60		DISCONTINUED	-
61	PL141534	LINER, POLY1/4"X15-3/4"	-
66	J16	XXJOINT W/GR 5 HDWE,16" CONNEC (DISCONTINUED)	-
69	F354040	NUT,HEX,5/16-18,G5,PLT	10
70	F1072320	HHCS,5/16-18X5/8",G5,PLT	10
74	E709	FASTENER KIT,POLY-LINER TO PAN	1
77	E667C	COUPLER W/PIN&CLIP,#667H PINTL	-
78	E667HPC	PIN&CLIP,REPAIR,#667H PINTLE	-
80	F1072245	HHCS,1/4-20X3/4",G5,PLT	1
81	F356030	NUT,NY-IN LOCK,1/4-20,G2,PLT	1

WARNING Do not substitute Grade 2 bolts when stronger Grade 5 bolts are specified.

Failure to heed these instructions could result in serious personal injury or death!